

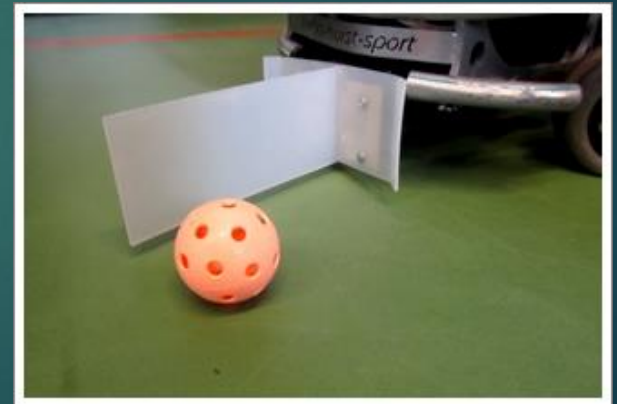


A critical reflection on assistive technology

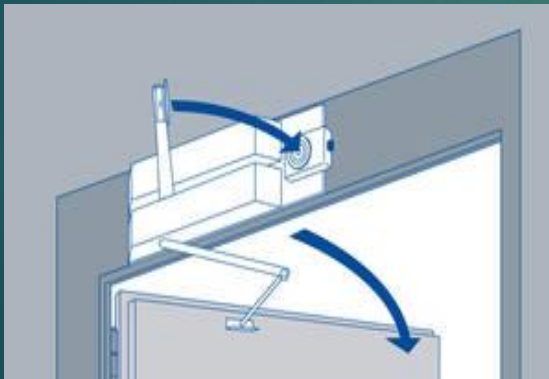
BY: JOËL BEURKENS

Who am I?

- Introduction
- Hobbies
- Family
- Dystrophy of Duchenne
- Logistics management
- Way of life
- Use of technology



Impression of the technologie which I use



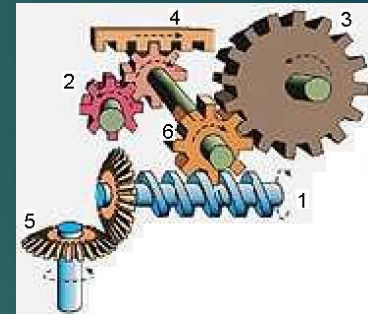
Requirements I propose for the technology

- Utility
 - Firm
 - Look
- ➔ Link between product and design
- Design with the user
 - User's choice



Patient, caregiver and technology

- Order
- My situation
- My care:
 - Parents
 - PGB -> explanation
 - Hospital -> information system,
 - Care facility -> Train the technology
- Satisfied



Main Things

- Design:

1. Utility
2. Firm
3. Look



Involve the user

- Care:

1. Training
2. Information system

- This is my meaning, I don't know exactly what other people think about it.



